



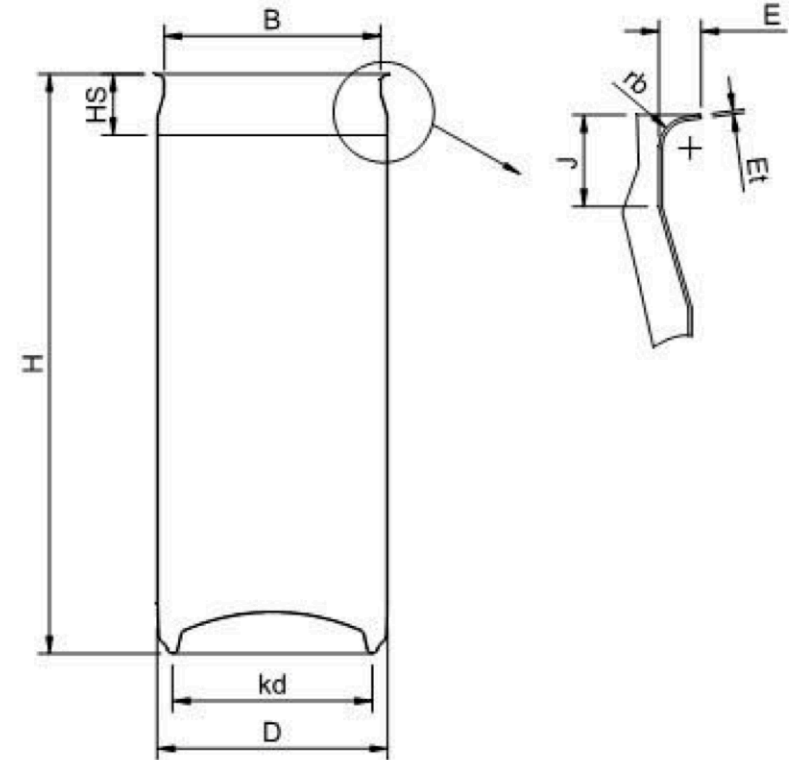
Aluminium 2Pc cans 473ml STD

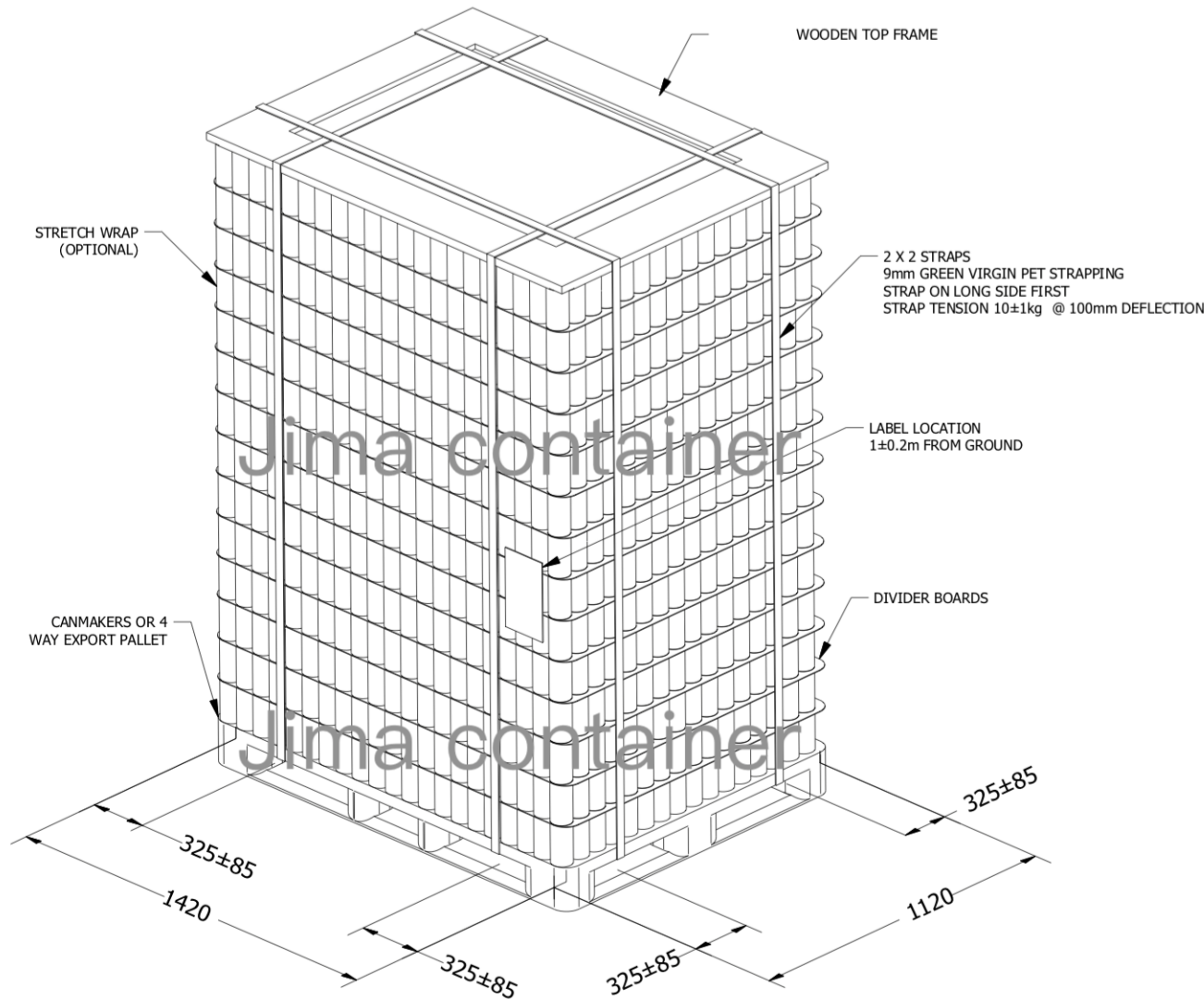
Code: CPS-473ml-A52.4

Description: Bev 2Pc Can - 473ml Aluminium STD 202/211x603

Specification

Entity Code	Entity Description	Value	Tolerance
B	Inside Neck Diameter	52.40 mm	±.30
D	Outside Can Diameter	66.00 mm	
E	Flange Width	2.08 mm	±.25
Et	Flange Thickness	.160 mm	
rb	Flange Radius	1.52 mm	
Kd	Stand diameter	48.01mm	
H	Open Can Height	157.23mm	±.30
J	Neck seaming clearance	3.05mm	
HS	Neck Height	18.20mm	±.50
	Nominal Fill Volume (ml)	473	
	Container Brimful Capacity (ml)	502	±3 TBC
	Minimum Dome Reversal Pressure	6.2 bar	min.





16oz 473ml aluminum cans

Wooden Pallets size:W1120*L1420*H2505mm

389 cans per layer

15 layers per pallet

5835 cans per pallet

16 pallets per 40HQ

* Alternative pack pattern. Site Dependant
 Heights are for Maximum Local Production and Sea/Interstate Freight
 Can Layout per Layer Available on Request

Jima container

Shanghai Jima Industrial Co.,Ltd
 Email: info@jimagroup.com

SPECIFICATION	Packing layout of Cans	F		2016.05
DATE & REVISION	2016 Revision M	REVISION	DESCRIPTION	DATE